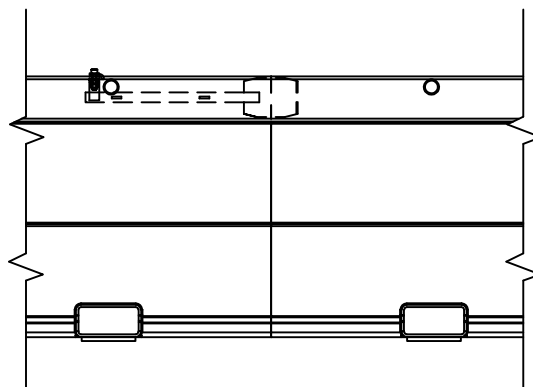



STEP 1  
SLIDE "A" END ONTO "B" END



STEP 2  
REACH THROUGH OPENING IN TOP OF BARRIER, SLIDE  
ENGAGEMENT ASSEMBLY TO ENGAGE "A" END, AND TIGHTEN  
BOLT

NOTES:

- 1) FOR ANCHORING DETAILS SEE E-1027
- 2) FOR BARRIER DIMENSIONS SEE E-1023
- 3) FOR BARRIER PROFILE DIM'S SEE E-1025
- 4) FOR CONNECTION DETAILS SEE E-1024
- 5) FOR SPEED JOINT IDENTIFICATION ("A" END/"B" END) SEE E-1021

1	CHG'D END CALL OUTS	4/18	GL
REV	REMARKS	DATE	CHK
DRAWN BY	DATE	MATERIAL	
GL	-	-	
SCALE	FINISH	WEIGHT	
NONE	GALV.	-	
Description			
ZONEGUARD BARRIER CONNECTION DETAIL			
<b>UNCONTROLLED WHEN PRINTED</b>			
		HILL & SMITH INC. 987 BUCKEYE PARK ROAD COLUMBUS, OHIO 43207 (614)-340-6294 www.hillandsmith.com	
Drawing No.		E-1024	