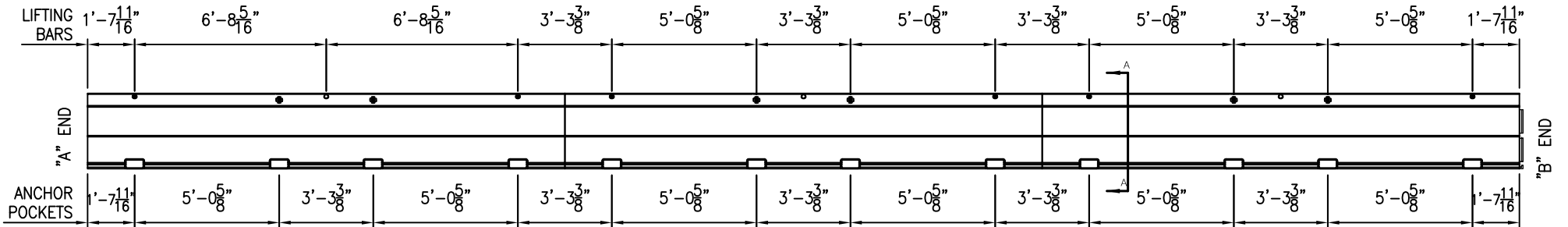
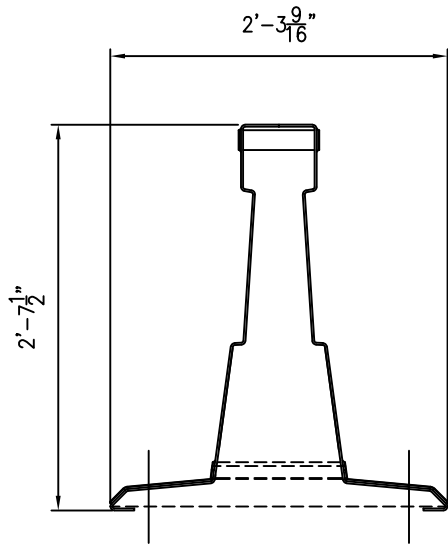


PLAN VIEW




ELEVATION VIEW



SECTION A-A

NOTES:

- 1) FOR ANCHORING DETAILS SEE E-1027
- 2) FOR BARRIER DIMENSIONS SEE E-1023
- 3) FOR BARRIER PROFILE DIM'S SEE E-1025
- 4) FOR CONNECTION DETAILS SEE E-1024
- 5) FOR SPEED JOINT IDENTIFICATION ("A" END/"B" END) SEE E-1021

1	CHG'D END CALL OUTS	4/18	GL
2	REMOVED RUBBER PADS	2/20	DH
REV	REMARKS	DATE	CHK
DRAWN BY	DATE	MATERIAL	
GL	-	-	
SCALE	FINISH	WEIGHT	
NONE	GALV.	-	
Description			
<p>ZONEGUARD BARRIER 50'-0 UNIT DIMENSIONS</p>			
<p>UNCONTROLLED WHEN PRINTED</p>			
 <p>HILL & SMITH INC. 987 BUCKEYE PARK ROAD COLUMBUS, OHIO 43207 (614)-340-6294 www.hillandsmith.com</p>			
Drawing No.			
E-1023			