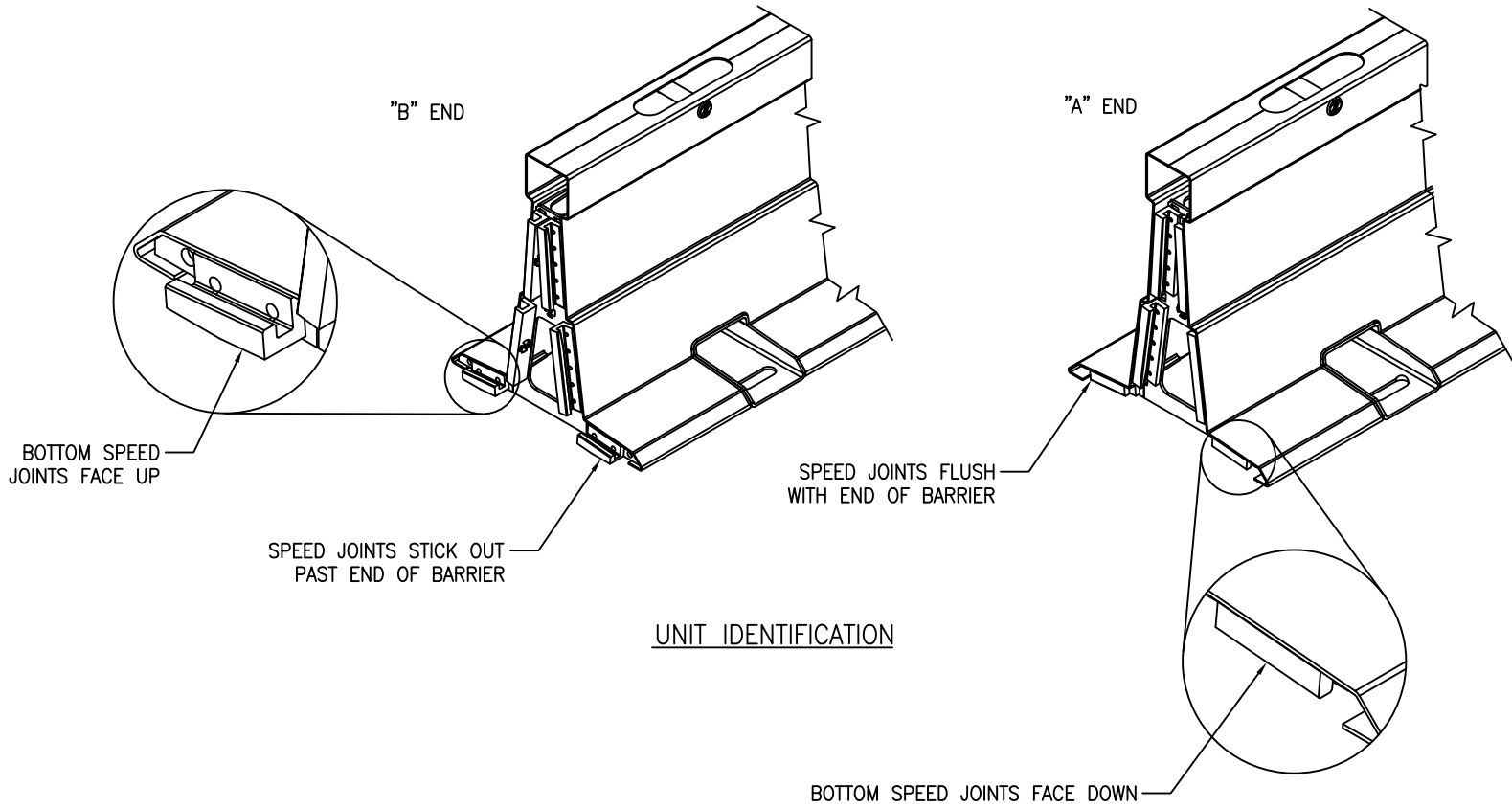
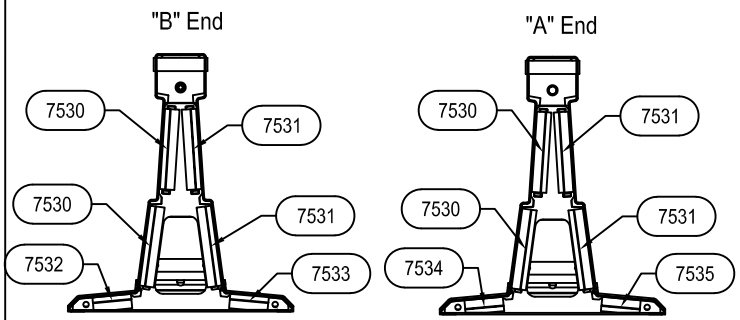


- NOTES:
 1) FOR ANCHORING DETAILS SEE E-1027
 2) FOR BARRIER DIMENSIONS SEE E-1023
 3) FOR BARRIER PROFILE DIM'S SEE E-1025
 4) FOR CONNECTION DETAILS SEE E-1024



UNIT IDENTIFICATION



P/N	Description
7530	Upper Speed Joint Left 16'8" Barrier
7531	Upper Speed Joint Right 16'8" (7530) Barrier
7532	Lower Speed Joint Left, and right (7533)
7533	Lower Speed Joint Left, and right (7533)
7534	Inverted Lower Speed Joint Left, and Right (7535)
7535	Inverted Lower Speed Joint Left, and Right (7535)

REV	REMARKS	DATE	CHK
2	SPEED JOINT DETAILS	1/20	GL
1	CHG'D END CALL OUTS	4/18	GL
DRAWN BY	DATE	MATERIAL	
GL	-	-	
SCALE	FINISH	WEIGHT	
NONE	GALV.	-	

Description
**ZONEGUARD BARRIER
 IDENTIFICATION OF
 SPEED JOINTS**

**UNCONTROLLED
 WHEN PRINTED**



HILL & SMITH INC.
 987 BUCKEYE PARK ROAD
 COLUMBUS, OHIO 43207
 (614)-340-6294
 www.hillandsmith.com

Drawing No. **E-1021**