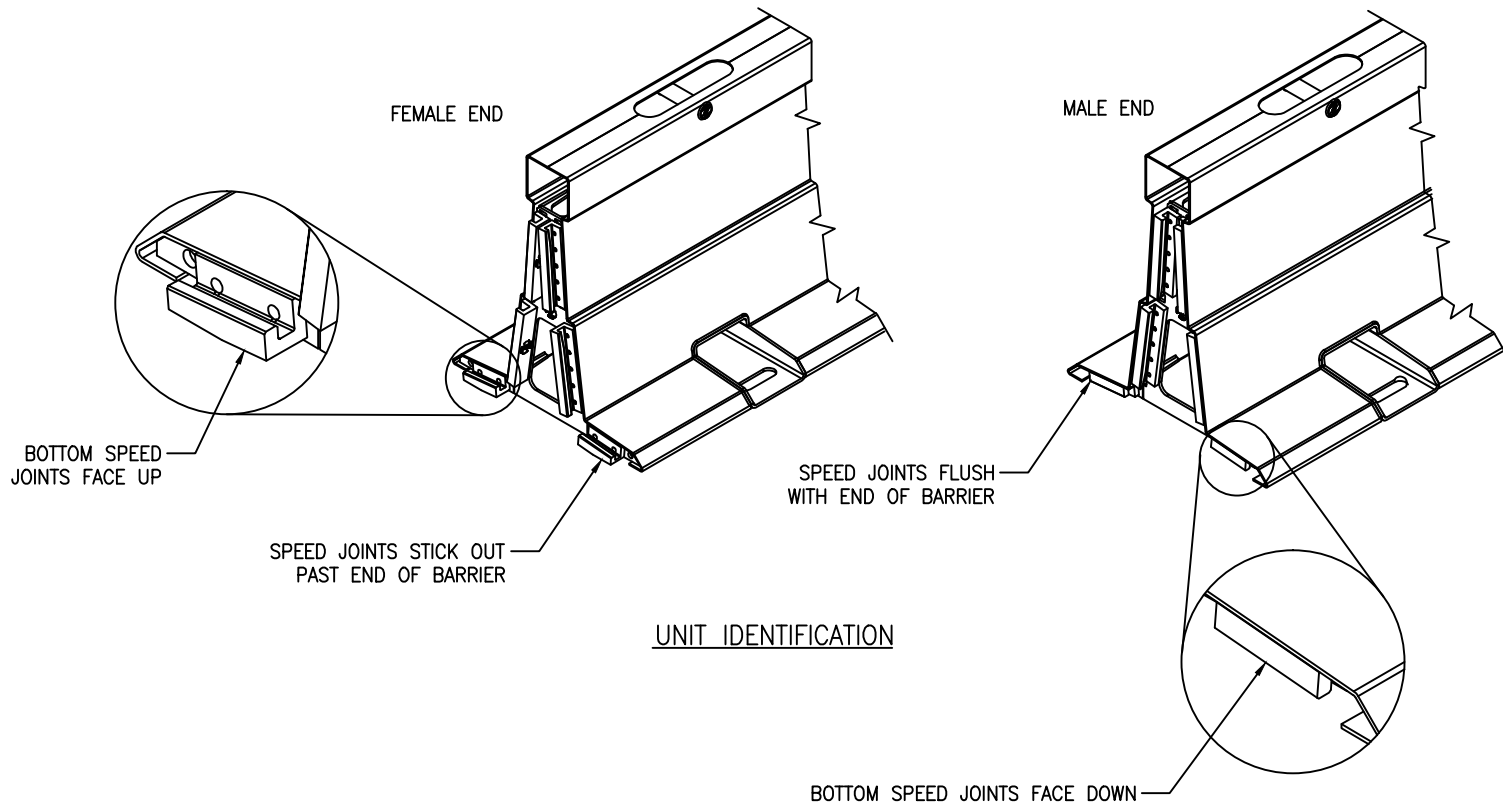



NOTES:

- 1) FOR ANCHORING DETAILS SEE E-1027
- 2) FOR BARRIER DIMENSIONS SEE E-1023
- 3) FOR BARRIER PROFILE DIM'S SEE E-1025
- 4) FOR CONNECTION DETAILS SEE E-1024



REV	REMARKS	DATE	CHK
-	-	-	-
DRAWN BY	DATE	MATERIAL	
GL	-	-	
SCALE	FINISH	WEIGHT	
NONE	GALV.	-	
Description			
ZONEGUARD BARRIER IDENTIFICATION OF SPEED JOINTS			
<b>UNCONTROLLED                  WHEN PRINTED</b>			
 HILL & SMITH INC. 987 BUCKEYE PARK ROAD COLUMBUS, OHIO 43207 (614)-340-6294 www.hillandsmith.com			
Drawing No.			
E-1021			